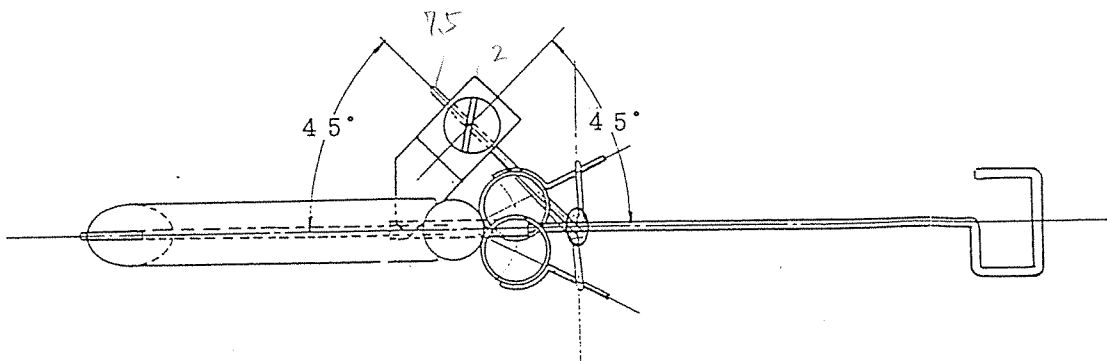
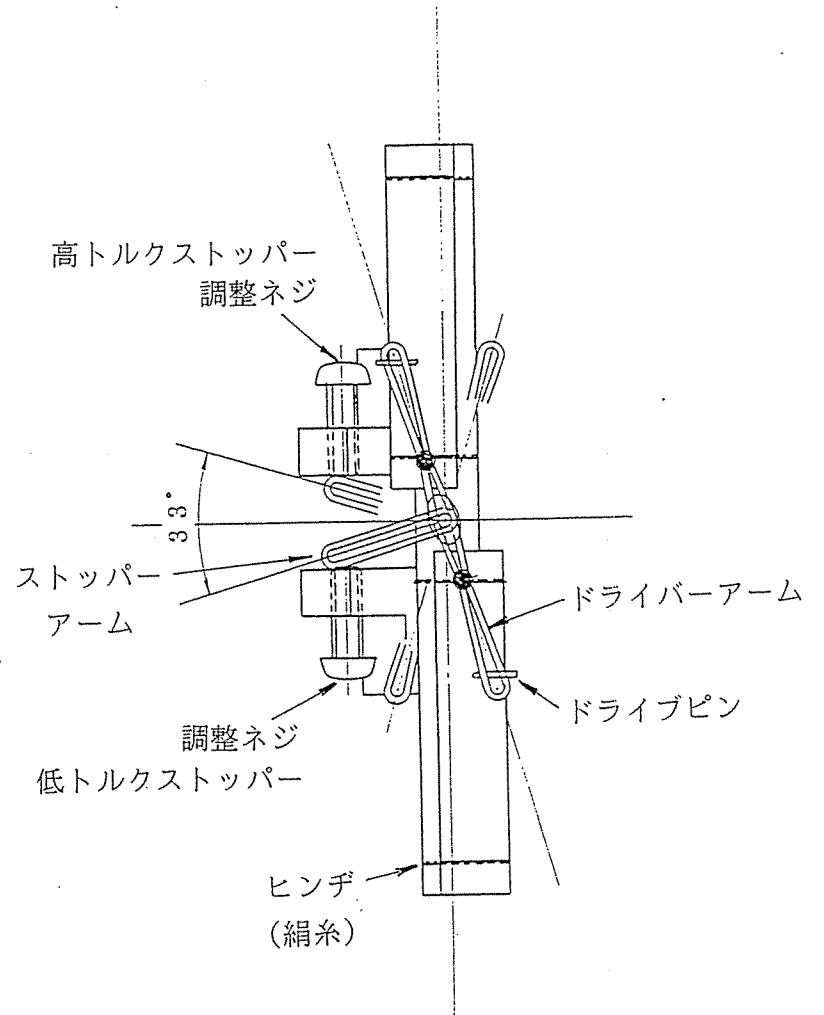
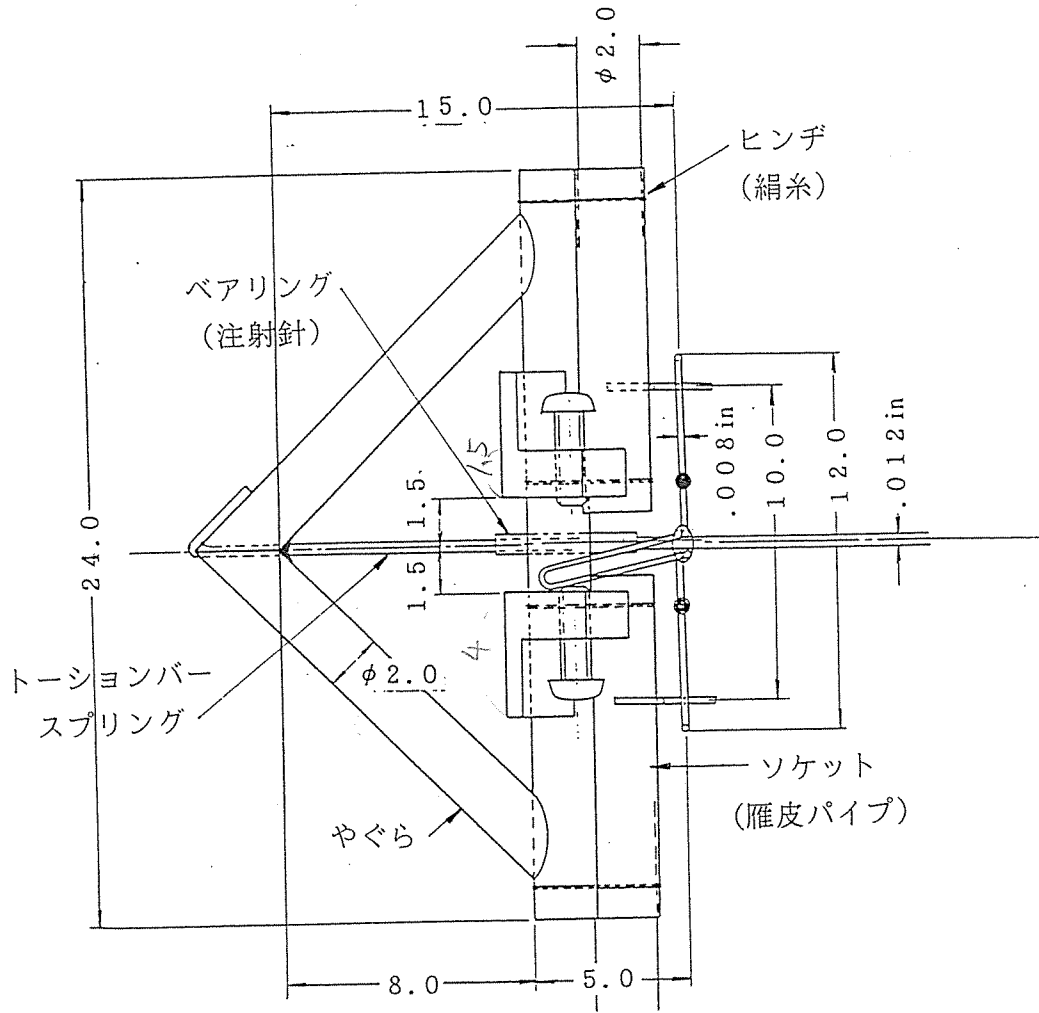


V.P. Mecha. for F1M
 'Build Your V.P. By Yourself !!

We Do Have Bo.M. Rule'

By Akihiro DANJO



V.P. Mechanism for FID 65
By Satoshi KINOSHITA