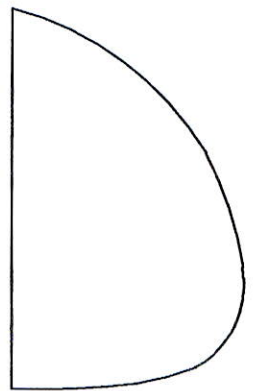
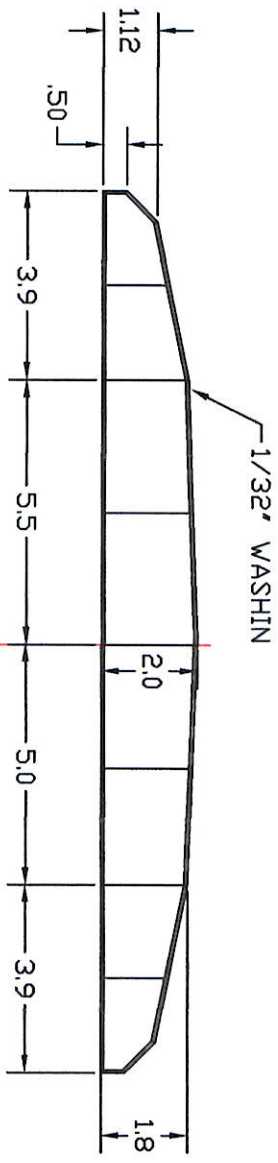


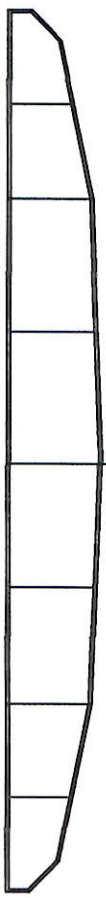
PROP SPARS .020 X .050 BASSWOOD  
 SANDED TO ALLOW FLARING,  
 BLADES FROM 1/32 3.8#  
 BLADE PITCH ANGLE: 37°



ALL RIBS ARE 6% SIMPLEX  
 1/32 X 1/16 4# BALSA



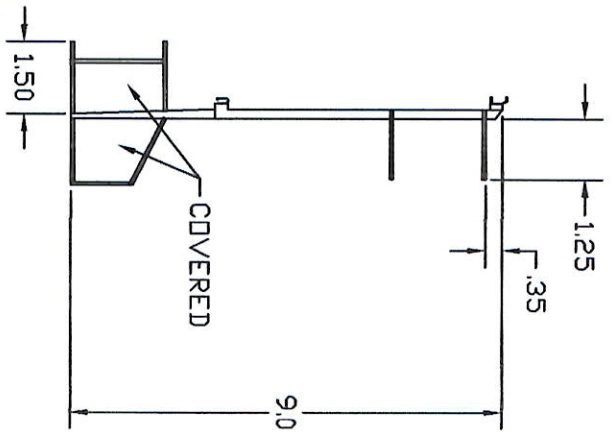
WING/STAB DIMENSIONS ARE FLAT  
 PROJECTED AREA = 29.8 SQ INCHES



SPARS ARE 1/16 X 1/16 4.5# BALSA  
 TIPS ARE 1/16 X 1/16 4 # BALSA

WEIGHTS:  
 Body: .410  
 Wing: .315  
 Stab: .315  
 Prop: .190  
 Total: 1.230 grams

Motor: 16.5" x .762 grams 3/02 Tan II  
 Winds: 3300 minus 20  
 Time: 8:17



"STUMPY"  
 TRUE TANDEM A-6 DESIGN  
 BY: DDN SLUSARCZYK

Cat II AMA Open Record Holder