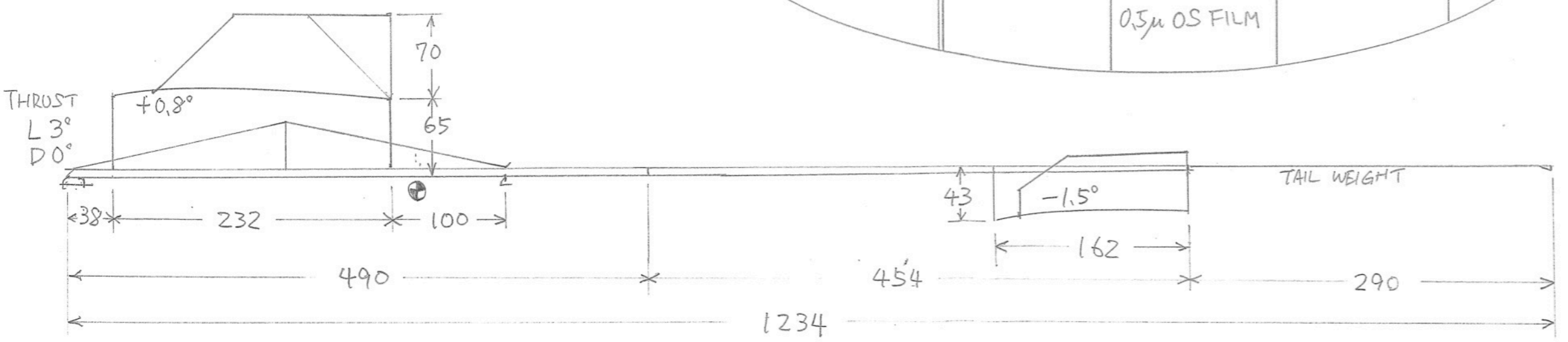
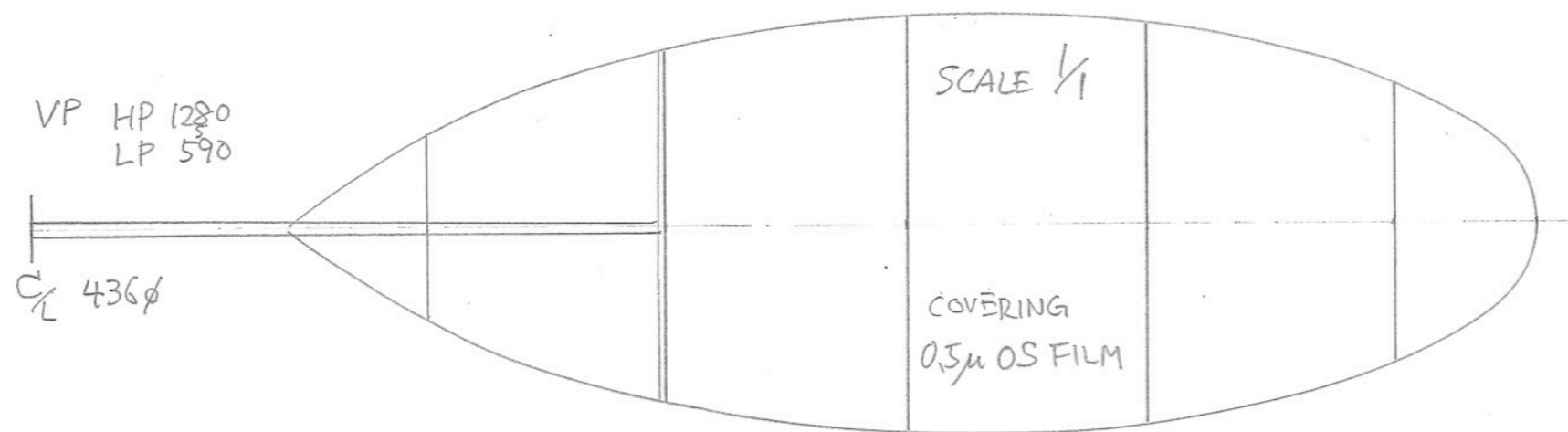
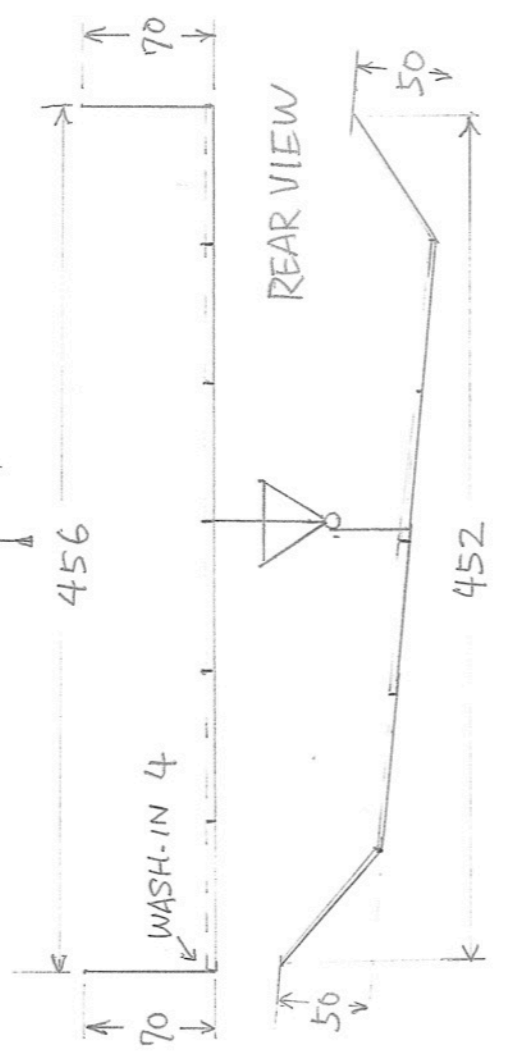
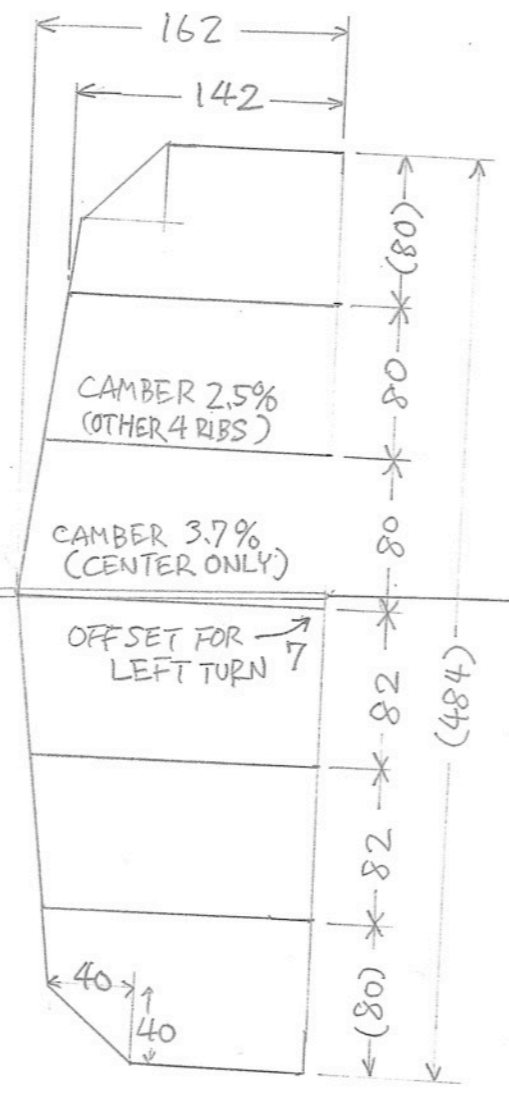


SCALE 1/4 (EXCEPT PROP)

COVERING: 0.7 μ PPP FILM

	WEIGHT
PROP	510
WING	767
M.S.	867
T.B.	320
STAB.	433
TAIL WEIGHT	110
TOTAL	3,007 g



F1M 2+6

CLAIMANT	
DIRECTING OFFICIAL	
NAC OFFICIAL	